



12-Volt **DIGITAL** Tire Inflation System

Systeme de gonflement de pneus NUMÉRIQUE de 12 volts

Sistema DIGITAL de inflado de neumáticos de 12 voltios

Operating Instructions
Instructions d'Utilisation
Manual de Instrucciones

RP3300



FRANÇAISE: Page 8
ESPAÑOL: Página 14

IN728500AV 11/09

Table of Contents

Description.....	3
Unpacking	3
Specifications.....	3
Safety Guidelines	4
Safety Symbols	4
Important Safety Information.....	4
Instructions Pertaining to a Risk of Fire, Electric Shock, or Injury to Persons	4
California Proposition 65	4
General Safety.....	4
Operation	5
For Low Pressure Inflation - Inflation Of Items That Require Less Than 20 psi.	5
For Standard Tire Inflation - Inflation Of Tires Between 20 psi and 99 psi	5
Maintenance	6
Technical Service	6
Troubleshooting Chart	6
Limited Warranty	7
Notes	20

For parts, product and service information

Visit: www.chpower.com

Call: Customer Service at 1-800-543-6400

Address any correspondence to:

Campbell Hausfeld
Attn: Customer Service
100 Production Drive
Harrison, OH 45030 U.S.A.



12-Volt DIGITAL Tire Inflation System



Description

The RP3300 12-volt inflator has a high pressure air hose for emergency roadside tire inflation and to inflate bicycle tires, soccer balls, and other sports equipment. This inflator includes a work light and a red flashing light for nighttime emergencies. A 15-amp fuse is located inside the 12-volt DC plug.

Unpacking

When unpacking this product, carefully inspect for any damage that may have occurred during transit.

Specifications

Model RP3300

Maximum Pressure: 99 psi

Weight: 4.0 lbs

Voltage: 12-Volt DC

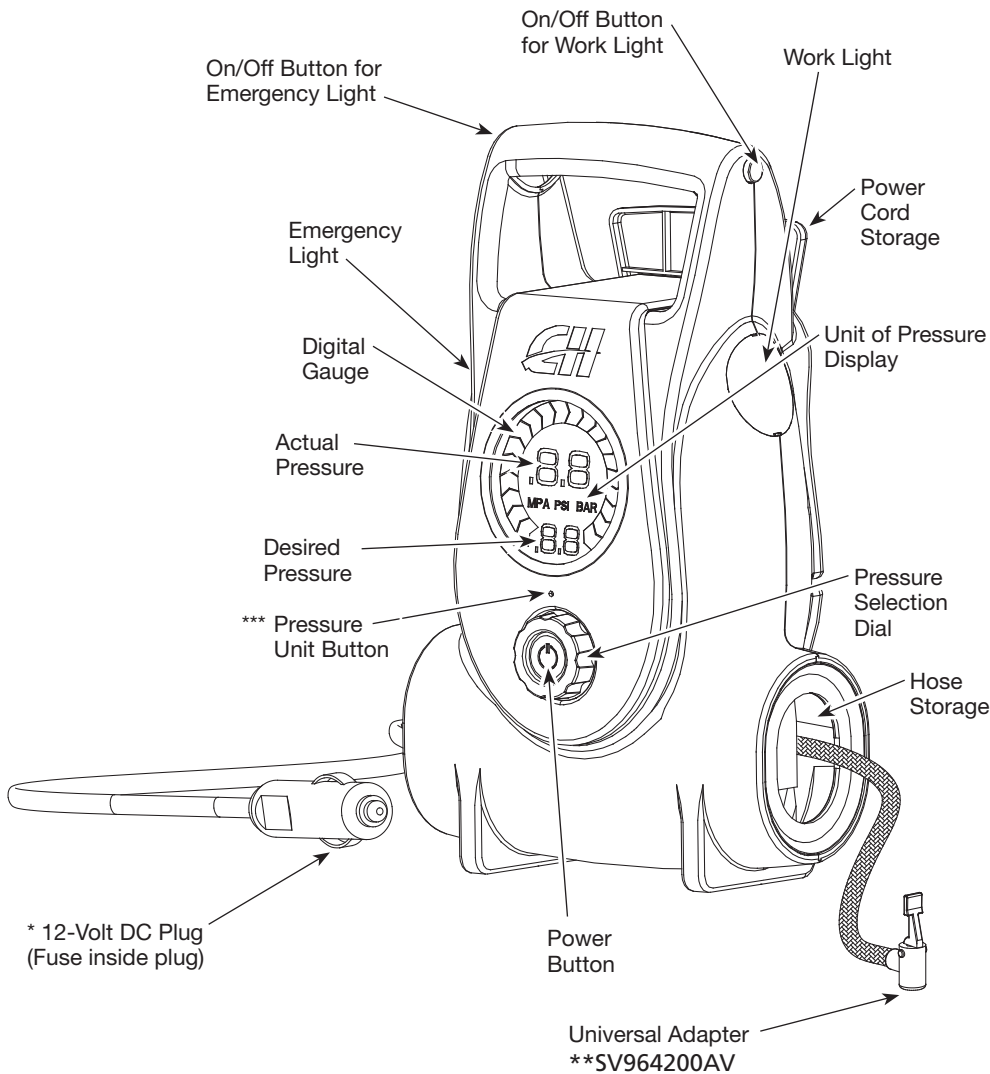
Amp Draw: 9 amp @ 0 psi
14 amp @ 99 psi

Cord Length: 10 feet

Fuse: 15 amp (5 mm x 20 mm, 250V)

Automatic Shutoff
Range: 20 psi to 99 psi

LO Setting for
Manual Operation: 0 to 19 psi



* Fuse replacement instructions for plug on page 6.

** Replacement Part Numbers

*** Use a pin size object, such as a metal inflation needle, to select the desired pressure unit desired (psi, kPa, or bar), while unit is connected to a power outlet.

Figure 1 - RP3300

Safety Guidelines

This manual contains information that is very important to know and understand. This information is provided for SAFETY and to PREVENT EQUIPMENT PROBLEMS. To help recognize this information, observe the following symbols.

▲ DANGER *Danger indicates an imminently hazardous situation which, if not avoided, WILL result in death or serious injury.*

▲ WARNING *Warning indicates a potentially hazardous situation which, if not avoided, COULD result in death or serious injury.*

▲ CAUTION *Caution indicates a potentially hazardous situation which, if not avoided, MAY result in minor or moderate injury.*

NOTICE *Notice indicates important information, that if not followed, may cause damage to equipment.*

IMPORTANT: Information that requires special attention.

Safety Symbols

The following Safety Symbols appear throughout this manual to alert you to important safety hazards and precautions.



Read manual first



Risk of overinflation



Risk of electrical shock

Important Safety Information

INSTRUCTIONS PERTAINING TO A RISK OF FIRE, ELECTRIC SHOCK, OR INJURY TO PERSONS

This manual contains important safety, operational and maintenance information. If you have any questions, please call 1-800-543-6400 for customer assistance.

▲ WARNING *When using tools, basic precautions should always be followed, including the following:*

CALIFORNIA PROPOSITION 65

▲ WARNING *This product or its power cord may contain chemicals, including lead, known to the State of California to cause cancer and birth defects or other reproductive harm. Wash hands after handling.*

GENERAL SAFETY

Completely read the manual included with this product carefully. Be thoroughly familiar with the proper use of the unit.



Any misuse of unit could cause property or equipment damage and/or personal injury.

▲ WARNING *Do not leave the inflator unattended while the unit is running.*

▲ WARNING *Never exceed the recommended pressure for any inflatable object. Do not over inflate objects. Over inflation could cause property damage and/or personal injury.*



▲ WARNING *Risk of bursting. Do not adjust regulator (pressure select dial) to result in output pressure greater than marked maximum pressure of attachment.*

▲ WARNING *Do not allow inflator to run unattended while in "LO" setting.*

▲ WARNING *The universal adapter must be locked to secure the inflation accessories. Use extreme caution when using inflation accessories.*

▲ WARNING *Always put the car in park; set the emergency brake; and chock the wheels before using the inflator or property damage and/or personal injury could occur.*

▲ CAUTION *Always use a separate pressure gauge to check the actual pressure in tires and in low pressure inflatable objects.*

▲ CAUTION *Inflator must cool for 20 minutes after 20 minutes of continuous operation. The Inflator is not designed to operate continuously for more than 20 minutes.*

NOTICE

Do not use inflator on high pressure tires used on large trucks, trailers or tractors. The inflator is not designed to operate for the length of time necessary to inflate these tires.

NOTICE

Make sure the universal adapter touches the core or tire valve stem.

**SAVE THESE INSTRUCTIONS
DO NOT DISCARD**

Operation

NOTICE For use with 12-volt DC power outlets rated 15 amps or higher. Do not use with older 8 amp cigarette lighter receptacles.

FOR LOW PRESSURE INFLATION - MANUAL SHUTOFF ONLY - INFLATION OF ITEMS THAT REQUIRE LESS THAN 20 PSI

1. Plug the power cord into a power outlet. **NOTE:** Some vehicles require the engine to be running to power the inflator.
- 2a. If inflating a low pressure **tire** (such as an ATV tire or lawn tractor tire), attach universal adapter to valve stem with the locking lever in the open/up position. Press the universal adapter completely onto the valve stem thread. Failure to do so could lead to loss of tire pressure during this process.
- b. If inflating a **sports ball**, insert a metal inflation needle into the universal adapter. Make sure the needle is secure in the adapter.
3. When the universal adapter is firmly in place, press the locking lever down. (See Figure 2).
4. Turn pressure selector dial until the desired pressure field reads "LO" (LO setting is just below 20 psi setting). (See Figure 3).
5. Press power button. (See Figure 4).
6. When item reaches desired firmness, press power button again to stop inflation. The actual pressure will then read on the digital gauge after the inflator has stopped. (See Figure 3).

NOTICE If inflator immediately stops inflating and shuts off, make sure the universal adapter is pressed fully on to the tire valve stem or the metal inflation needle is inserted correctly (See Figure 2).

7. If more inflation is needed, repeat steps 5 and 6.
8. When desired pressure is reached, raise universal adapter lever and remove from the tire valve stem or remove the metal inflation needle.

WARNING Overinflation can be dangerous. Pay attention while inflating low pressure items to prevent overinflation.

WARNING Do not allow inflator to run unattended while in "LO" setting.

FOR STANDARD TIRE INFLATION - AUTOMATIC SHUTOFF - INFLATION OF TIRES BETWEEN 20 PSI AND 99 PSI

1. Attach universal adapter to valve stem with the locking lever in the open/up position. Press the universal adapter completely onto the valve stem thread. Failure to do so could lead to loss of tire pressure during this process.
2. When the universal adapter is firmly in place, press the locking lever down. (See Figure 2).
3. Plug the power cord into a power outlet.
4. Turn the pressure selector dial until desired pressure is reached. (See Figure 3).
5. Press power button. (See Figure 4). Unit will turn off automatically when set pressure is reached.

NOTICE If inflator immediately stops inflating and shuts off, make sure the universal adapter is pressed fully on to the tire valve stem (See Figure 2).

6. When desired pressure is reached, raise universal adapter lever and remove from the tire valve stem or remove the metal inflation needle.

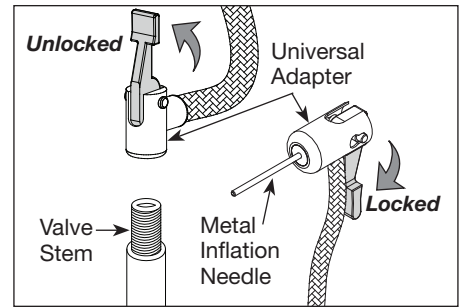


Figure 2 - Lock Universal Adapter Securely

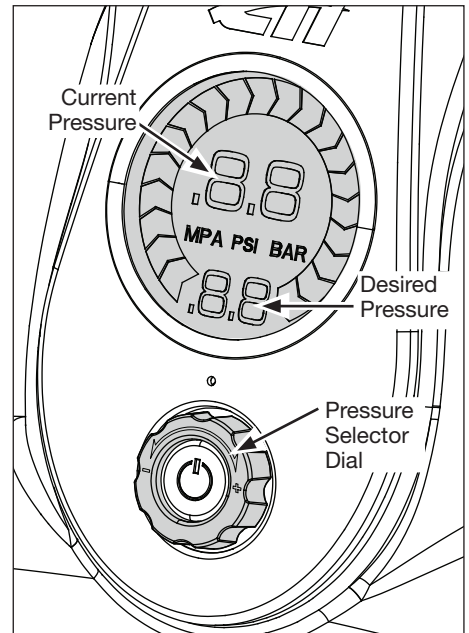


Figure 3 - Digital Pressure Gauge and Pressure Selector Dial

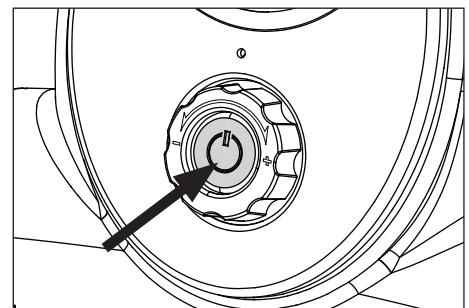


Figure 4 - Power Button

Maintenance

FUSE REPLACEMENT

NEVER replace a blown fuse with a fuse having a higher rating.

- 1) Unscrew end of plug counterclockwise to remove fuse.
- 2) If fuse is blown, replace with a new 15-amp fuse (5 mm x 20 mm, 250V). Always replace a blown fuse with the same size fuse.
- 3) Reassemble plug. Do not overtighten.

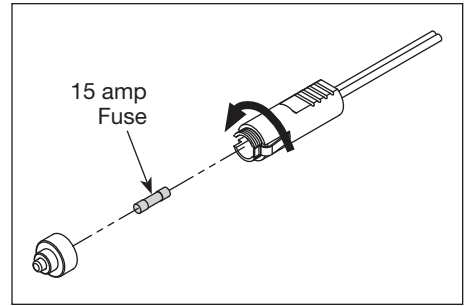


Figure 5 - Fuse Replacement

Technical Service

For information regarding the operation or repair of this product, please call 1-800-543-6400.

Troubleshooting Chart

Symptom	Possible Cause(s)	Corrective Action
Gauge is not on	<ol style="list-style-type: none"> 1. Vehicle's engine not running 2. Vehicle's fuse for power outlet is blown 3. Inflator's fuse for power plug is blown 	<ol style="list-style-type: none"> 1. Turn on your vehicle 2. Replace fuse 3. Replace fuse (see above)
Inflator will not start	<ol style="list-style-type: none"> 1. Red power button not pressed 2. Pressure in tire may be greater than the desired pressure setting 	<ol style="list-style-type: none"> 1. Press red power button 2. Release some pressure from tire or reset desired pressure to a higher setting
Desired pressure unit not shown	Desired pressure not selected	Use a pin size object to change the desired pressure unit (psi, kPa, or bar) while inflator is connected to a power source. See page 3.
Inflator does not shut off	<ol style="list-style-type: none"> 1. Faulty power connection 2. Item you are inflating has a hole or leaks 3. Inflator is not working properly 	<ol style="list-style-type: none"> 1. Disconnect power plug. Reconnect to power outlet. 2. Patch hole or leak 3. Call Customer Service at 1-800-543-6400

If problem can not be resolved, call 1-800-543-6400

Limited Warranty

1. DURATION: From the date of purchase by the original purchaser as follows: One Year.
2. WHO GIVES THIS WARRANTY (WARRANTOR): Campbell Hausfeld / Scott Fetzer Company, 100 Production Drive, Harrison, Ohio, 45030, Telephone: (800) 543-6400
3. WHO RECEIVES THIS WARRANTY (PURCHASER): The original purchaser (other than for purposes of resale) of the Campbell Hausfeld product.
4. WHAT PRODUCTS ARE COVERED BY THIS WARRANTY: Any Campbell Hausfeld nailer, stapler, air tool, spray gun, inflator or air accessory supplied or manufactured by Warrantor.
5. WHAT IS COVERED UNDER THIS WARRANTY: Substantial defects in material and workmanship which occur within the duration of the warranty period.
6. WHAT IS NOT COVERED UNDER THIS WARRANTY:
 - A. Implied warranties, including those of merchantability and FITNESS FOR A PARTICULAR PURPOSE ARE LIMITED FROM THE DATE OF ORIGINAL PURCHASE AS STATED IN THE DURATION. If this product is used for commercial, industrial or rental purposes, the warranty will apply for ninety (90) days from the date of purchase. Some States do not allow limitation on how long an implied warranty lasts, so the above limitations may not apply to you.
 - B. ANY INCIDENTAL, INDIRECT, OR CONSEQUENTIAL LOSS, DAMAGE, OR EXPENSE THAT MAY RESULT FROM ANY DEFECT, FAILURE, OR MALFUNCTION OF THE CAMPBELL HAUSFELD PRODUCT. Some States do not allow the exclusion or limitation of incidental or consequential damages, so the above limitation or exclusion may not apply to you.
 - C. Any failure that results from an accident, purchaser's abuse, neglect or failure to operate products in accordance with instructions provided in the owner's manual(s) supplied with product. Accident, purchaser's abuse, neglect or failure to operate products in accordance with instructions shall also include the removal or alteration of any safety devices. If such safety devices are removed or altered, this warranty is void.
 - D. Normal adjustments which are explained in the owner's manual(s) provided with the product.
 - E. Items or service that are normally required to maintain the product.
7. RESPONSIBILITIES OF WARRANTOR UNDER THIS WARRANTY: Repair or replace, at Warrantor's option, products or components which are defective, have malfunctioned and/or failed to conform within duration of the warranty period.
8. RESPONSIBILITIES OF PURCHASER UNDER THIS WARRANTY:
 - A. Provide dated proof of purchase and maintenance records.
 - B. Call Campbell Hausfeld (800-543-6400) to obtain your warranty service options. Freight costs, if any, must be borne by the purchaser.
 - C. Use reasonable care in the operation and maintenance of the products as described in the owner's manual(s).
9. WHEN WARRANTOR WILL PERFORM REPAIR OR REPLACEMENT UNDER THIS WARRANTY: Repair or replacement will be scheduled and serviced according to the normal work flow at the servicing location, and depending on the availability of replacement parts.

This Limited Warranty applies in the United States, Canada and Mexico only and gives you specific legal rights. You may also have other rights which vary from state to state or country to country.

Table des Matières

Description.....	F9
Déballage	F9
Spécifications.....	F9
Directives de Sécurité	F10
Symboles de Sécurité.....	F10
Importantes Instructions	
De Sécurité	F10
Instructions Portant Sur Un	
Risque d'Incendie, Un Choc	
Électrique Ou Des Blessures	
Aux Personnes.....	F10
Proposition 65 de Californie	F10
General Safety.....	F10
Fonctionnement	F11
Pour Un Gonflement À Basse	
Pression — Gonflement Des	
Articles Qui Exigent Moins De	
138 kPa (20 lb/po ²).....	F11
Pour Un Gonflement De Pneu	
Standard - Gonflement De Pneus	
Entre 138 kPa et 682 kPa	
(20 et 99 lb/po ²)	F11
Entretien	F12
Remplacement de Fusibles	F12
Service Technique	F12
Tableau de dépannage	F12
Garantie Limitée	F13
Notes	20

For parts, product and service information

APPELER : Service à la clientèle au 1-800-543-6400

ADRESSER TOUTE CORRESPONDANCE À : Campbell Hausfeld
Attn: Customer Service
100 Production Drive
Harrison, OH 45030 U.S.A.



Système de gonflement de pneus NUMÉRIQUE de 12 volts

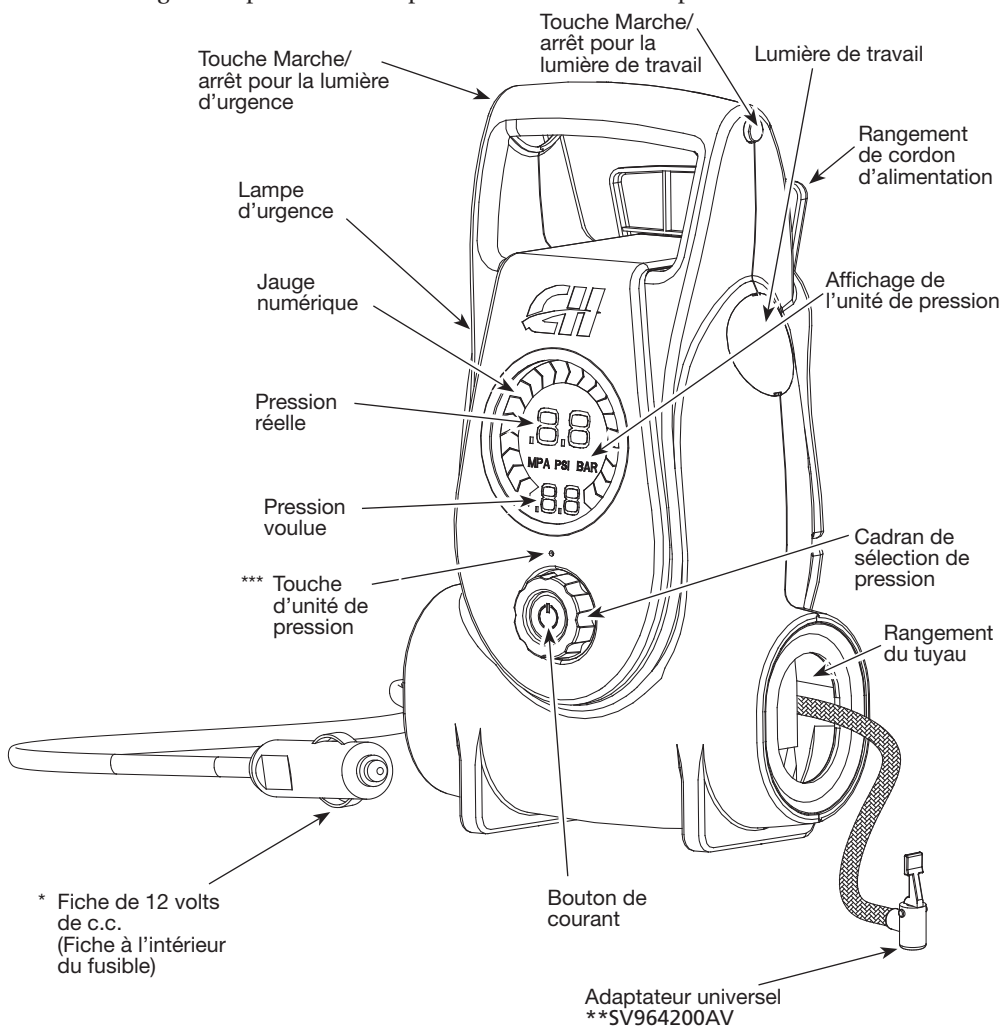


Description

Le gonfleur de 12 volts RP3300 a un tuyau d'air haute pression pour gonfler les pneus en situations d'urgence sur la route et gonfler les pneus de bicyclette, les ballons de soccer, les ballons de plage et autre équipement de sport. Ce gonfleur inclut une lumière de travail et une lumière clignotante rouge pour les urgences nocturnes. Un fusible de 15 A se trouve à l'intérieur de la fiche de 12 volts de c.c.

Déballage

Lors du déballage de ce produit, l'examiner soigneusement pour rechercher toute trace de dommage susceptible de s'être produit en cours de transport.



* Fiche de 12 volts de c.c. (Fiche à l'intérieur du fusible)

* Instructions de remplacement de fusible pour la prise à la page 12.

** Numéros de pièces de rechange

*** Utilisez un objet de la taille d'une aiguille, comme une aiguille de gonflage de métal, pour choisir l'unité de pression voulue (lb/po², kPa ou bar) tandis que l'unité est branchée à une source de courant.

Figure 1 - RP3300

Spécifications

Modèle RP3300

Pression Maximale : 683 kPa

Poids : 1,81 kg

Tension : 12 volts c.c.

Tirage d'ampères :

9 A @ 0 kPa

14 A @ 683 kPa

Longueur du cordon : 3,05 m

Fusible : 15 A (5 mm x 20 mm, 250V)

Arrêt automatique

Plage : 138 à 682 kPa (20 à 99 lb/po²)

Réglage « LO » (bas) pour une opération manuelle : 0 à 131 kPa (0 à 19 lb/po²)

Directives de Sécurité

Ce manuel contient de l'information très importante qui est fournie pour la SÉCURITÉ et pour ÉVITER LES PROBLÈMES D'ÉQUIPEMENT. Rechercher les symboles suivants pour cette information.

▲ DANGER Danger indique une situation dangereuse imminente qui MÈNERA à la mort ou à des blessures graves si elle n'est pas évitée.

▲ AVERTISSEMENT Avertissement indique une situation potentiellement dangereuse qui, si elle n'est pas évitée, POURRAIT mener à la mort ou à de graves blessures.

▲ ATTENTION Attention indique une situation potentiellement dangereuse qui, si elle n'est pas évitée, PEUT mener à des blessures mineures ou modérées.

AVIS Avis indique de l'information importante qui pourrait endommager l'équipement si elle n'est pas respectée.

IMPORTANT : Information qui exige une attention spéciale.

Symboles de Sécurité

Les symboles de sécurité suivants apparaissent dans l'ensemble de ce manuel pour vous aviser des dangers et précautions importants de sécurité.



Lire le manuel d'abord



Risque de surgonflage



Risque de choc électrique

Importantes Instructions De Sécurité

Instructions Portant Sur Un Risque d'Incendie, Un Choc Électrique Ou Des Blessures Aux Personnes

Ce manuel contient des informations concernant la sécurité, le fonctionnement et l'entretien. Si vous avez des questions, appeler le 1-800-543-6400 pour le service à la clientèle.

▲ AVERTISSEMENT

En utilisant les outils, il faut suivre les précautions de base, y compris ce qui suit :

PROPOSITION 65 DE CALIFORNIE

▲ AVERTISSEMENT

Ce produit ou son cordon peuvent contenir des produits chimiques, y compris du plomb, relevés par l'État de Californie comme cause de cancer, d'anomalies congénitales ou d'autres problèmes reproductifs. Lavez-vous les mains après toute manipulation.

GENERAL SAFETY

Lire attentivement et en entier le mode d'emploi qui accompagne ce produit. S'assurer de bien maîtriser les règles d'utilisation du compresseur.



Toute utilisation incorrecte de l'unité peut causer des dommages à la propriété ou à l'équipement ou encore des blessures.

▲ AVERTISSEMENT

Ne pas laisser le gonfleur en marche sans surveillance.

▲ AVERTISSEMENT

Ne jamais dépasser la pression recommandée d'un objet gonflable. Ne pas sur-gonfler les objets. Le sur gonflage peut causer des dégâts matériels et/ou des blessures personnelles.



▲ AVERTISSEMENT

Risque d'éclatement. Ne pas ajuster le régulateur (cadran de sélection de pression) peut mener à une pression de sortie dépassant la pression maximale indiquée de l'accessoire.

▲ AVERTISSEMENT

Ne laissez pas le gonfleur fonctionner sans supervision au réglage « LO » (bas).

▲ AVERTISSEMENT

Le raccord universel doit être barré pour maintenir les accessoires de gonflage en place solidement. Les accessoires de gonflage doivent être utilisés avec la plus grande.

▲ AVERTISSEMENT

Toujours parquer l'automobile, mettre le frein de secours: et caler les roues avant d'utiliser le gonfleur. Sinon il y a risque de dommage matériel et/ou blessure.

▲ ATTENTION

Toujours utiliser un autre manomètre pour vérifier la pression actuelle dans les pneus et dans les objets gonflables de pression basse.

▲ ATTENTION

Le gonfleur DOIT se refroidir pendant 20 minutes après 20 minutes de fonctionnement continu. Le gonfleur n'est pas conçu pour le fonctionnement continu pendant plus que 20 minutes.

AVIS

Ne pas utiliser le gonfleur sur les pneus de haute pression comme ceux de gros camions, remorques ou tracteurs. Le gonfleur n'est pas fabriqué pour fonctionner la durée de temps nécessaire pour gonfler ces pneus.

AVIS

S'assurer que l'adaptateur universel touche le noyau de la tige de soupape de pneu.

**CONSERVER CES INSTRUCTIONS
NE LES JETEZ PAS**

Fonctionnement

AVIS

À utiliser avec des prises de courant continu de 12 volts d'une valeur nominale de 15 ampères ou plus. Ne doit pas être utilisé avec les allume-cigare plus vieux, de 8 ampères.

POUR UN GONFLEMENT À BASSE PRESSION — ARRÊT MANUEL SEULEMENT - GONFLEMENT DES ARTICLES QUI EXIGENT MOINS DE 138 KPA (20 LB/PO²)

1. Branchez le cordon d'alimentation dans une prise de courant. **REMARQUE:** Pour certains véhicules, il faut que le moteur tourne pour alimenter le gonfleur.
- 2a. Si l'on gonfle un **pneu** à basse pression (comme un pneu de VTT ou un pneu de tondeuse autoportée), installer un adaptateur universel à la tige de la soupape avec le levier de verrouillage en position ouverte/vers le haut. Enfoncez complètement l'adaptateur universel sur les filets de la tige de la soupape. Ceci pourrait mener à une perte de pression du pneu durant ce processus.
- b. Si l'on gonfle une **balle de sport**, insérer une aiguille de gonflement de métal dans l'adaptateur universel. S'assurer que l'aiguille est bien installée dans l'adaptateur.
3. Lorsque l'adaptateur universel est bien fermement en place, enfoncez le levier de verrouillage. (Voir la figure 2).
4. Tournez le cadran du sélecteur de pression jusqu'à ce que le champ de pression désiré indique « LO » (BAS) (Le réglage LO est juste sous le réglage de 138 kPa (20 lb/po²)). (Voir la figure 3).
5. Enfoncez le bouton de courant. (Voir la figure 4).
6. Lorsque l'article atteint la fermeté voulue, enfoncez le bouton de courant à nouveau pour arrêter le gonflement. La pression réelle apparaîtra alors sur la jauge numérique après l'arrêt du gonfleur. (Voir la figure 3).

AVIS

Si le gonfleur cesse immédiatement de gonfler et s'arrête, assurez-vous que l'adaptateur universel est enfoncé complètement sur la tige de soupape du pneu ou que l'aiguille de gonflage de métal est insérée correctement (voir la figure 2).

7. S'il faut gonfler plus, répéter les étapes 5 et 6.
8. En atteignant la pression voulue, relevez le levier de l'adaptateur universel et retirez de la tige de soupape du pneu ou retirez l'aiguille de gonflement de métal.

⚠ AVERTISSEMENT

Un surgonflage peut être dangereux. Attention en gonflant les articles à basse pression pour éviter de trop gonfler.

⚠ AVERTISSEMENT

Ne laissez pas le gonfleur fonctionner sans supervision au réglage « LO » (bas).

POUR UN GONFLEMENT DE PNEU STANDARD - ARRÊT AUTOMATIQUE - GONFLEMENT DE PNEUS ENTRE 138 KPA ET 682 KPA (20 ET 99 LB/PO²)

1. Installer un adaptateur universel à la tige de la soupape avec le levier de verrouillage en position ouverte/vers le haut. Enfoncez complètement l'adaptateur universel sur les filets de la tige de la soupape. Ceci pourrait mener à une perte de pression du pneu durant ce processus.
2. Lorsque l'adaptateur universel est bien fermement en place, enfoncez le levier de verrouillage. (Voir la figure 2).
3. Branchez le cordon d'alimentation dans une prise de courant.
4. Tourner le cadran du sélecteur de pression jusqu'à la pression voulue. (Voir la figure 3).
5. Enfoncez le bouton de courant. (Voir la figure 4). L'appareil s'éteindra automatiquement lorsqu'on atteint la pression réglée.

AVIS

Si le gonfleur cesse immédiatement de gonfler et s'arrête, assurez-vous que l'adaptateur universel est enfoncé complètement sur la tige de soupape du pneu (voir la figure 2).

6. En atteignant la pression voulue, relevez le levier de l'adaptateur universel et retirez de la tige de soupape du pneu ou retirez l'aiguille de gonflement de métal.

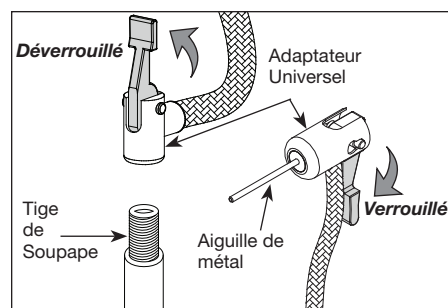


Figure 2 - Verrouiller bien l'adaptateur universel

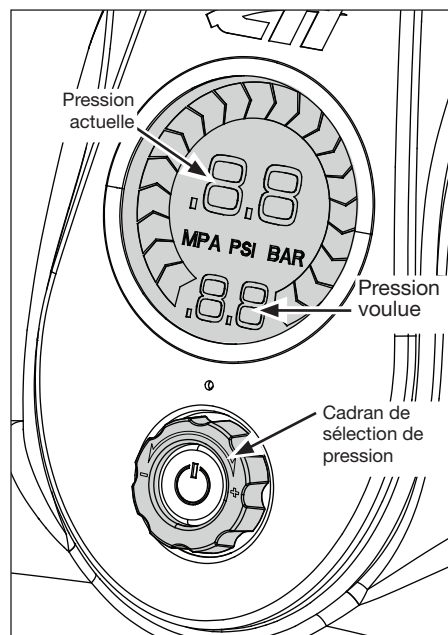


Figure 3 - Jauge numérique et cadran de sélection de pression

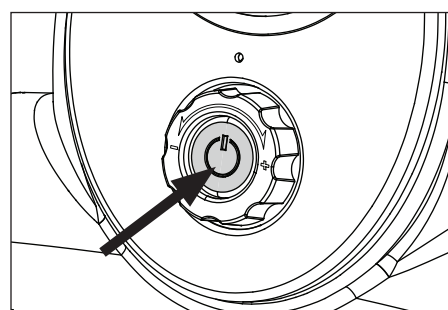


Figure 4 - Bouton de courant

Entretien

REPLACEMENT DE FUSIBLES

NE JAMAIS remplacer un fusible sauté avec un fusible d'une classification plus élevée.

1. Dévisser l'extrémité de la fiche dans le sens antihoraire pour retirer le fusible.
2. Si le fusible grille, remplacer avec un nouveau fusible de 15 A (5 mm x 20 mm, 250V).
Toujours remplacer un fusible grillé par un fusible de même taille.
3. Remonter la fiche. Ne pas trop serrer

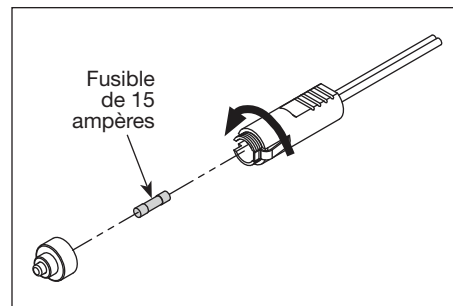


Figure 5 - Remplacement de fusible

Service Technique

Pour des informations concernant le fonctionnement ou la réparation de ce produit, composer le 1-800-543-6400.

Tableau de dépannage

Symptôme	Cause(s) possible(s)	Mesure(s) corrective(s)
La jauge n'est pas en marche	1. Le moteur du véhicule ne fonctionne pas	1. Mettez le véhicule en marche
	2. Le fusible du véhicule pour la sortie de courant est grillé	2. Remplacez le fusible
	3. Le fusible du gonfleur pour la fiche d'alimentation est grillé	3. Remplacez le fusible (voir plus haut)
Le gonfleur ne démarre pas	1. Le bouton de courant rouge non enfoncé	1. Enfoncez le bouton de courant rouge
	2. La pression du pneu peut dépasser le réglage de pression voulu	2. Dégagez de la pression du pneu ou réinitialisez la pression voulue à un réglage plus élevé
L'unité de pression voulue non illustré	La pression voulue non choisie	Utilisez un objet de la taille d'une aiguille pour changer l'unité de pression voulue (lb/po ² , kPa ou bar) tandis que le gonfleur est branché à une source de courant. Voir page 3.
Le gonfleur ne s'arrête pas	1. Connexion de courant défectueuse	1. Coupez le courant. Rebranchez dans la prise de courant.
	2. L'article qu'on gonfle a un trou ou des fuites	2. Réparez le trou ou la fuite
	3. Le gonfleur ne fonctionne pas correctement	3. Appelez le Service à la clientèle au 1-800-543-6400

Si le problème ne peut pas être solutionné, appelez le 1-800-543-6400

Garantie Limitée

1. DURÉE: À partir de la date d'achat par l'acheteur original comme suit - Un An.
2. GARANTIE ACCORDÉE PAR (GARANT): Campbell Hausfeld/Scott Fetzer Company, 100 Production Drive, Harrison, Ohio, 45030, Téléphone: (800) 543-6400
3. BÉNÉFICIAIRE DE CETTE GARANTIE (ACHETEUR): L'acheteur original (sauf en cas de revente) du produit Campbell Hausfeld.
4. PRODUITS COUVERTS PAR CETTE GARANTIE: Tous les outils de fixation (cloueuses et agrafeuses), outils pneumatiques, pistolets vaporisateurs, gonfleurs ou accessoires pneumatiques Campbell Hausfeld qui sont fournis par ou fabriqués par le Garant.
5. COUVERTURE DE LA PRÉSENTE GARANTIE: Défauts de matière et de fabrication considérables qui se révèlent pendant la période de validité de la garantie.
6. LA PRÉSENTE GARANTIE NE COUVRE PAS:
 - A. Les garanties implicites, y compris celles de commercialisabilité et D'ADAPTION À UNE FONCTION PARTICULIÈRE SONT LIMITÉES À PARTIR DE LA DATE D'ACHAT INITIALE TELLE QU'INDIQUÉE DANS LA SECTION DURÉE. Si ce produit est utilisé pour une fonction commerciale, industrielle ou pour la location, la durée de la garantie sera quatre-vingt-dix (90) jours à compter de la date d'achat. Quelques Provinces (États) n'autorisent pas de limitations de durée pour les garanties implicites. Les limitations précédentes peuvent donc ne pas s'appliquer.
 - B. TOUT DOMMAGE, PERTE OU DÉPENSE FORTUIT OU INDIRECT POUVANT RÉSULTER DE TOUT DÉFAUT, PANNE OU MAUVAIS FONCTIONNEMENT DU PRODUIT CAMPBELL HAUSFELD. Quelques Provinces (États) n'autorisent pas l'exclusion ni la limitation des dommages fortuits ou indirects. La limitation ou exclusion précédente peut donc ne pas s'appliquer.
 - C. Toute panne résultant d'un accident, d'une utilisation abusive, de la négligence ou d'une utilisation ne respectant pas les instructions données dans le(s) manuel(s) accompagnant le produit. Un accident, l'utilisation abusive par l'acheteur, la négligence ou le manque de faire fonctionner les produits selon les instructions comprend aussi l'enlèvement ou la modification de n'importe quel appareil de sûreté. Si ces appareils de sûreté sont enlevés ou modifiés, la garantie sera annulée.
 - D. Réglages normaux qui sont expliqués dans le(s) manuel(s) d'utilisation accompagnant le produit.
 - E. Articles ou services qui sont exigés pour l'entretien du produit.
7. RESPONSABILITÉS DU GARANT AUX TERMES DE CETTE GARANTIE: Réparation ou remplacement, au choix du Garant, des produits ou pièces qui se sont révélés défectueux pendant la durée de validité de la garantie.
8. RESPONSABILITÉS DE L'ACHETEUR AUX TERMES DE CETTE GARANTIE:
 - A. Fournir une preuve d'achat datée et un état d'entretien.
 - B. Appeler Campbell Hausfeld (800-543-6400) pour obtenir vos options de service sous garantie. Taux de frais, si applicables, sont la responsabilité de l'acheteur.
 - C. Utilisation et entretien du produit avec un soin raisonnable, ainsi que le décrit le(s) manuel(s) d'utilisation.
9. RÉPARATION OU REMPLACEMENT EFFECTUÉ PAR LE GARANT AUX TERMES DE LA PRÉSENTE GARANTIE: La réparation ou le remplacement sera prévu et exécuté en fonction de la charge de travail dans le centre de service et dépendra de la disponibilité des pièces de rechange.

Cette Garantie Limitée s'applique aux É.-U., au Canada et au Mexique seulement et vous donne des droits juridiques précis. L'acheteur peut également jouir d'autres droits qui varient d'une Province, d'un État ou d'un Pays à l'autre.

Índice

Descripción	S15
Para Desempacar	S15
Especificaciones	S15
Medidas de Seguridad	S16
Símbolos de Seguridad	S16
Importantes Instrucciones De Seguridad	S16
Instrucciones En Referencia Al Peligro De Incendios, Choque Eléctrico O Lesiones Personales ...	S16
Proposición 65 de California	S16
Seguridad General	S16
Funcionamiento	S17
Para Inflado De Presión Baja - Inflado De Artículos Que Requieren Menos De 1,38 bar (20 psi)	S17
Para Inflado De Neumáticos Normales - Inflado De Neumáticos Entre 1,38 y 6,83 bar (20 - 99 psi)	S17
Mantenimiento	S18
Reemplazo del Fusible	S18
Servicio Técnico	S18
Guía de diagnóstico de problemas. .	S18
Garantía Limitada.	S19
Notas	20

Por información sobre piezas, productos y servicios

LLAME: Atención al cliente al 1-800-543-6400

DIRIJA TODA LA CORRESPONDENCIA A: Campbell Hausfeld
Attn: Customer Service
100 Production Drive
Harrison, OH 45030 U.S.A.



Sistema DIGITAL de inflado de neumáticos de 12 voltios

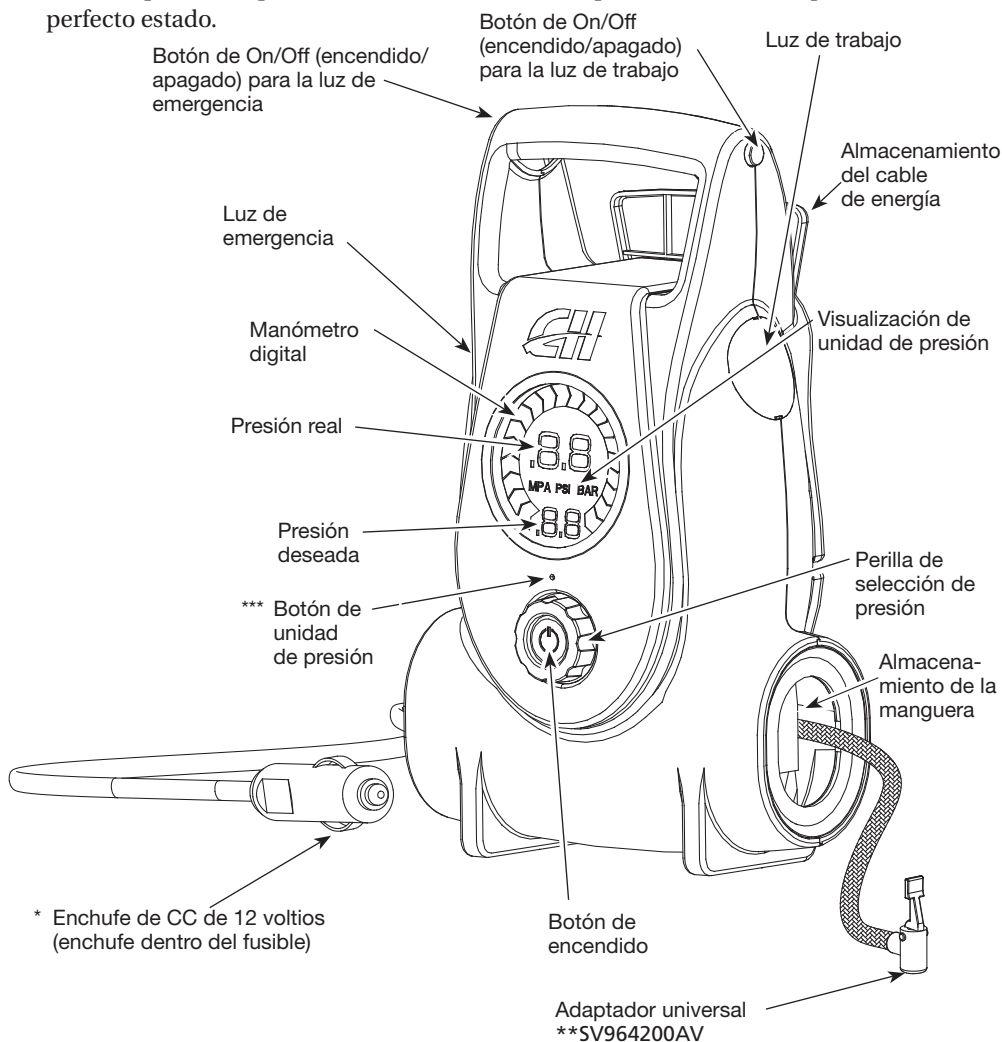


Descripción

El inflador de 12 voltios RP3300 tiene una manguera de aire de alta presión para las emergencias en las que deba inflar neumáticos en la carretera y para inflar neumáticos de bicicleta, pelotas de fútbol y demás equipo deportivo. Este inflador incluye una luz de trabajo y una luz roja que destella para emergencias nocturnas. Cuenta con un fusible de 15 amperios ubicado dentro del enchufe de CC de 12 voltios.

Para Desempacar

Al desempacar este producto, revíselo con cuidado para cerciorarse de que esté en perfecto estado.



* Instrucciones del cambio del fusible para el enchufe en la página 18.

** Números de pieza de repuesto

*** Use un objeto del tamaño de un alfiler, como un pincho para inflar de metal, para seleccionar la unidad de presión deseada (psi, kPa o bar), mientras la unidad se encuentra conectada a una salida de corriente.

Figura 1 - RP3300

Especificaciones

Modelo RP3300

Presión Máxima: 6,83 bar

Peso: 1,81 kg

Voltaje: 12 voltios, CC

Consumo de Amperaje:

9 A @ 0 bar

14 A @ 6,83 bar

Long. del Cable: 3,05 m

Fusible: 15 A (5 mm x 20 mm, 250V)

Apagado automático

Rango: 1,39 bar (20 psi)

a 6,8 bar (99 psi)

Configuración "LO" (baja)

para funcionamiento manual:

0 a 1,31 bar (19 psi)

Medidas de Seguridad

Este manual contiene información que es muy importante que se conozca y comprenda. Esta información se proporciona con fines de SEGURIDAD y para EVITAR PROBLEMAS CON EL EQUIPO. Para ayudar a reconocer esta información, observe los siguientes símbolos.

▲ PELIGRO Peligro indica una situación inminentemente peligrosa, que si no se evita, dará como resultado la muerte o lesiones graves.

▲ ADVERTENCIA Advertencia indica una situación potencialmente peligrosa, que si no se evita, PODRÍA ocasionar la muerte o lesiones graves.

▲ PRECAUCION Precaución indica una situación potencialmente peligrosa, que si no se evita, PUEDE dar como resultado lesiones leves o moderadas.

AVISO Aviso indica una información importante, que de no seguirla, le podría ocasionar daños al equipo.

IMPORTANTE: información que requiere atención especial.

Símbolos de Seguridad

Los siguientes símbolos de seguridad aparecen a lo largo de este manual para advertirle de importantes peligros y precauciones de seguridad.



Lea primero el manual



Riesgo de inflado excesivo



Riesgo de choque eléctrico

Importantes Instrucciones De Seguridad

INSTRUCCIONES EN REFERENCIA AL PELIGRO DE INCENDIOS, CHOQUE ELÉCTRICO O LESIONES PERSONALES

Este manual contiene información sobre seguridad, funcionamiento y mantenimiento. Si tiene preguntas, llame al 1-800-543-6400 para obtener asistencia al cliente.

▲ ADVERTENCIA Cuando se usen herramientas, siempre se deberán seguir precauciones básicas, incluyendo las siguientes:

PROPOSICIÓN 65 DE CALIFORNIA

▲ ADVERTENCIA Este producto o su cable de corriente pueden contener químicos, incluido plomo, que es conocido por el Estado de California como causante de cáncer y defectos de nacimiento u otros daños reproductivos. Lávese las manos después de manipularlo.

SEGURIDAD GENERAL

Lea completamente el manual incluido con este producto. Familiarícese con el uso apropiado de la unidad.



Cualquier uso incorrecto de la unidad puede causar daños materiales o daños al equipo y/o lesiones personales.

▲ ADVERTENCIA No deje el inflador sin vigilar mientras la unidad esté funcionando.

▲ ADVERTENCIA Nunca exceda la presión recomendada para cualquier objeto inflable. No infle demasiado los objetos. El inflar con exceso podría causar daños a la propiedad y/o heridas personales.



▲ ADVERTENCIA Riesgo de explosión. No ajuste el regulador (dial de selección de presión) de forma que la presión de salida sea mayor que la presión marcada como máxima en el accesorio.

▲ ADVERTENCIA No deje el inflador funcionando sin supervisión mientras se encuentra en la configuración "LO" (bajo).

▲ ADVERTENCIA El adaptador universal debe estar cerrado para asegurar los accesorios del inflador. Tenga extrema precaución cuando use accesorios de inflar.

▲ ADVERTENCIA Sempre estacione o carro, puxe o freio de mão e trave a direção antes de usar o inflador ou podem ocorrer danos à propriedade ou ferimentos pessoais.

▲ PRECAUCION Siempre use un manómetro aparte para revisar la presión de las llantas y objetos inflamables a baja presión.

▲ PRECAUCION El inflador debe enfriarse por 20 minutos después de 20 minutos de uso continuo. El inflador no está diseñado para operar continuamente por más de 20 minutos.

AVISO

No use el inflador para las llantas de alta presión usado en los camiones grandes, caravanas o tractores. El inflador no está diseñado para funcionar por el tiempo necesario para inflar estas llantas.

AVISO

Asegúrese de que el adaptador universal toque el núcleo del vástago de la válvula de la llanta.

GUARDE ESTAS INSTRUCCIONES – NO LAS DESECHE

Funcionamiento

AVISO

Para usar con salidas de CC de 12 voltios clasificadas para 15 amp o más. No usar con tomas antiguas de encendedor de cigarrillos de 8 amperios.

PARA INFLADO DE BAJA PRESIÓN – APAGADO MANUAL ÚNICAMENTE – PARA INFLAR ARTÍCULOS QUE REQUIEREN POR LO MENOS 1,39 BAR (20 PSI)

1. Enchufe el cable de corriente en la salida de corriente. **NOTA:** algunos vehículos necesitan que el motor esté funcionando para hacer funcionar el inflador.
- 2a. Si está inflando un **neumático** de baja presión (como un neumático de ATV o un neumático de tractor cortador de césped), coloque el adaptador universal en el vástago de la válvula con la palanca de bloqueo en la posición de apertura/hacia arriba. Presione el adaptador universal por completo sobre la rosca del vástago de la válvula. No hacerlo podría llevar a la pérdida de presión del neumático durante este proceso.
- b. Para inflar una **pelota de deporte**, inserte una aguja para inflar metálica en el adaptador universal. Asegúrese de que la aguja esté firme en el adaptador.
3. Cuando el adaptador universal esté firme en su lugar, presione la palanca de cierre hacia abajo. (Vea la Figura 2).
4. Gire el dial de selección de presión hasta que el campo de la presión marque "LO" (bajo; esta configuración está justo por debajo del valor de 1,39 bar [20 psi]). (Vea la Figura 3).
5. Presione el botón de encendido. (Vea la Figura 4).
6. Cuando el artículo alcanza la firmeza deseada, presione el botón de encendido otra vez para parar el inflado. La presión real se podrá leer entonces en el manómetro digital luego de que el inflador se haya detenido. (Vea la Figura 3).

AVISO

Si el inflador deja de inflar inmediatamente y se apaga, asegúrese de que el adaptador universal esté presionado por completo en el vástago de la válvula del neumático o que el pincho para inflar de metal esté introducido correctamente (ver Figura 2).

7. Si es necesario inflar más, repita los pasos 5 y 6.
8. Cuando se alcance la presión deseada, eleve la palanca del adaptador universal y quítelo del vástago de la válvula del neumático o quite el pincho de inflado de metal.

▲ ADVERTENCIA

Inflar en exceso puede ser peligroso. Preste atención mientras infla artículos de baja presión para evitar inflar en exceso.

▲ ADVERTENCIA

No deje el inflador funcionando sin supervisión mientras se encuentra en la configuración "LO" (bajo).

PARA INFLADO DE NEUMÁTICOS ESTÁNDAR – APAGADO AUTOMÁTICO – INFLADO DE NEUMÁTICOS DE ENTRE 1,39 BAR (20 PSI) Y 6,8 BAR (99 PSI)

1. Conecte el adaptador universal al vástago de la válvula con la palanca de cierre en la posición abierta/arriba. Presione el adaptador universal por completo sobre la rosca del vástago de la válvula. El no hacerlo podría causar pérdida de presión del neumático durante este proceso.
2. Cuando el adaptador universal esté firme en su lugar, presione la palanca de cierre hacia abajo. (Vea la Figura 2).
3. Enchufe el cable de corriente en la salida de corriente.
4. Gire la perilla reguladora hasta alcanzar la presión deseada. (Vea la Figura 3).
5. Presione el botón de encendido. (Vea la Figura 4). La unidad se apaga automáticamente cuando se alcance la presión deseada.

AVISO

Si el inflador deja de inflar inmediatamente y se apaga, asegúrese de que el adaptador universal esté presionado por completo en el vástago de la válvula del neumático (ver Figura 2).

6. Cuando se alcance la presión deseada, eleve la palanca del adaptador universal y quítelo del vástago de la válvula del neumático o quite el pincho de inflado de metal.

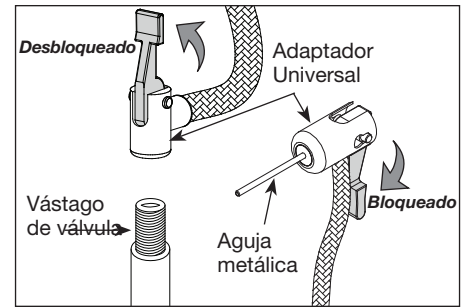


Figura 2 - Cierre firmemente el adaptador universal

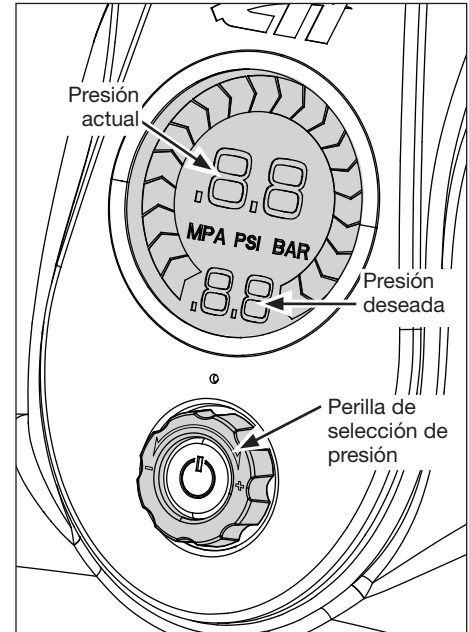


Figura 3 - Manómetro digital y perilla de selección de presión

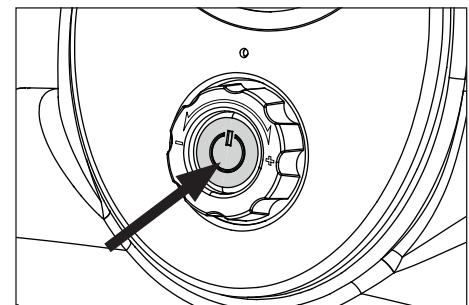


Figura 4 - Botón de encendido

Mantenimiento

REEMPLAZO DEL FUSIBLE

NUNCA utilice un fusible de más de 15 A. para reemplazar el fusible de esta unidad.

1. Desenrosque el extremo del enchufe hacia la izquierda para sacar el fusible.
2. Si el fusible está quemado, reemplácelo con un fusible nuevo de 15 amperes (5 mm x 20 mm, 250V). Siempre reemplace un fusible quemado con un fusible del mismo tamaño.
3. Vuelva a armar el enchufe. No apriete en exceso.

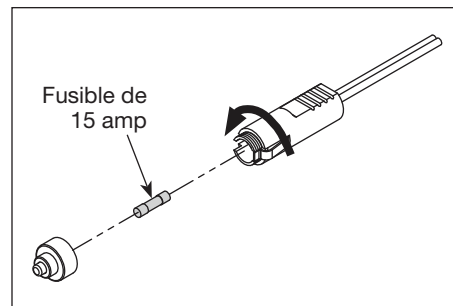


Figura 5 - Cambio del fusible

Servicio Técnico

Para mayor información en relación al funcionamiento o reparación de este producto, comuníquese con el concesionario de Campbell Hausfeld más cercano a su domicilio.

Guía de diagnóstico de problemas

Síntoma	Causa(s) posible(s)	Acciones a tomar
El manómetro no está encendido	<ol style="list-style-type: none"> 1. El motor del vehículo no está funcionando 2. El fusible del vehículo para la salida de la energía está quemado 3. El fusible del inflador para el enchufe de corriente está quemado 	<ol style="list-style-type: none"> 1. Encienda su vehículo 2. Cambie el fusible 3. Cambie el fusible (ver arriba)
El inflador no enciende	<ol style="list-style-type: none"> 1. El botón de corriente rojo no está presionado 2. La presión en el neumático puede ser mayor que configuración de presión deseada 	<ol style="list-style-type: none"> 1. Presione el botón de corriente rojo 2. Libere algo de presión del neumático o vuelva a colocar la presión deseada en una configuración más alta
No se muestra la unidad de presión deseada	No se seleccionó la unidad de presión deseada	Use un objeto con el tamaño de un alfiler para cambiar la unidad de presión deseada (psi, kPa o bar) mientras el inflador está conectado a una fuente de energía. Vea la página 3.
El inflador no se apaga	<ol style="list-style-type: none"> 1. Conexión de energía dañada 2. El artículo que está inflando tiene un orificio o pérdidas 3. El inflador no está funcionando correctamente 	<ol style="list-style-type: none"> 1. Desconecte el enchufe de corriente. Vuelva a conectarlo a la salida de corriente. 2. Coloque un parche en el orificio o pérdida 3. Llame a nuestro servicio de atención al cliente al 1-800-543-6400

Si no puede resolver el problema, llame al 1-800-543-6400

Garantía Limitada

1. DURACION: A partir de la fecha de compra por el comprador original tal como se especifica a continuación: Un año.
 2. QUIEN OTORGA ESTA GARANTIA (EL GARANTE: Campbell Hausfeld / The Scott Fetzer Company 100 Production Drive, Harrison, Ohio 45030 Teléfono: (800) 543-6400
 3. QUIEN RECIBE ESTA GARANTIA (EL COMPRADOR): El comprador original (que no sea un revendedor) del producto Campbell Hausfeld.
 4. PRODUCTOS CUBIERTOS POR ESTA GARANTIA: Cualquier clavadora, grapadora, herramienta neumática, pistola pulverizadora, inflador o accesorio neumático suministrado o fabricado por el Garante.
 5. COBERTURA DE LA GARANTIA: Los defectos substanciales de material y fabricación que ocurran dentro del período de validez de la garantía.
 6. LO QUE NO ESTA CUBIERTO POR ESTA GARANTIA:
 - A. Las garantías implícitas, incluyendo aquellas de comercialidad E IDONEIDAD PARA FINES PARTICULARES, ESTAN LIMITADOS A LO ESPECIFICADO EN EL PARRAFO DE DURACION. Si este producto es empleado para uso comercial, industrial o para renta, la garantía será aplicable por noventa (90) días a partir de la fecha de compra. En algunos estados no se permiten limitaciones a la duración de las garantías implícitas, por lo tanto, en tales casos esta limitación no es aplicable.
 - B. CUALQUIER PERDIDA DAÑO INCIDENTAL, INDIRECTO O CONSECUENTE QUE PUEDA RESULTAR DE UN DEFECTO, FALLA O MALFUNCIONAMIENTO DEL PRODUCTO CAMPBELL HAUSFELD. En algunos estados no se permite la exclusión o limitación de daños incidentales o consecuentes, por lo tanto, en tales casos esta limitación o exclusión no es aplicable
 - C. Cualquier falla que resulte de un accidente, abuso, negligencia o incumplimiento de las instrucciones de funcionamiento y uso indicadas en el (los) manual(es) que se adjunta(n) al producto. Dichos accidentes, abusos por parte del comprador, o falta de operar el producto siguiendo las instrucciones del manual de instrucciones suministrado también debe incluir la desconexión o modificación de los instrumentos de seguridad. Si dichos instrumentos de seguridad son desconectados, la garantía quedaría cancelada.
 - D. Los ajustes normales explicados en el(los) manual(es) suministrado(s) con el producto.
 - E. Artículos o servicios normalmente requeridos para el mantenimiento del producto, tales como.
 7. RESPONSABILIDADES DEL GARANTE BAJO ESTA GARANTIA: Reparar o reemplazar, como lo decida el Garante, los productos o componentes que estén defectuosos, se hayan dañado o hayan dejado de funcionar adecuadamente, durante el período de validez de la garantía
 8. RESPONSABILIDADES DEL COMPRADOR BAJO ESTA GARANTIA:
 - A. Suministrar prueba fechada de compra y la historia de mantenimiento del producto.
 - B. Llame a Campbell Hausfeld (800-543-6400) por sus opciones de servicio incluidas en la garantía. Los gastos de flete, de haberlos, deben ser pagados por el comprador.
 - C. Seguir las instrucciones sobre operación y mantenimiento del producto, tal como se indica(n) en el (los) manual(es) del propietario
 9. CUANDO EFECTUARA EL GARANTE LA REPARACION O REEMPLAZO CUBIERTO BAJO ESTA GARANTIA: La reparación o reemplazo dependerá del flujo normal de trabajo del centro de servicio y de la disponibilidad de repuestos.
- Esta garantía limitada es válida sólo en los EE.UU., Canadá y México y otorga derechos legales específicos. Usted también puede tener otros derechos que varían de un Estado a otro. o de un país a otro.

